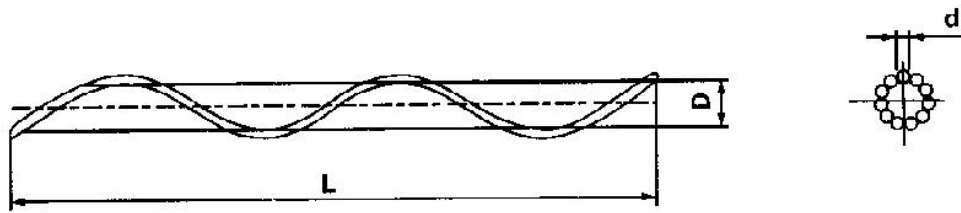


PROTECTION FITTINGS

1. Preformed Armour Rod

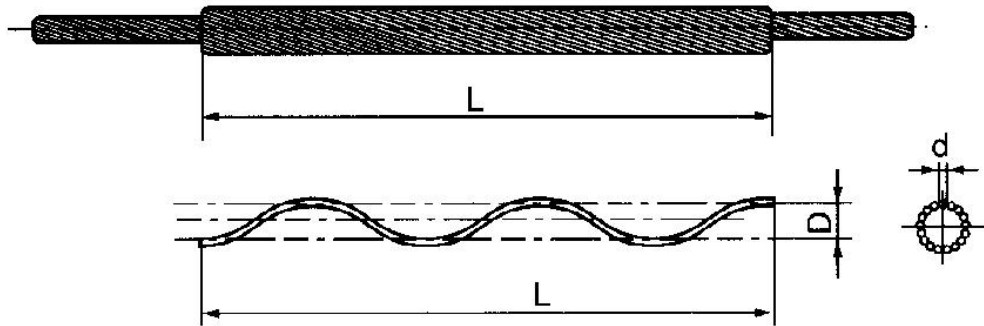


Catalog No.	Suitable Conductor, mm ²	Dimensions (mm)			A Group No.	Weight (Kg)
		d	D	L		
YJH-35	LGJ-35	3.6	7.1	1000	9	0.27
YJH-50	LGJ-50	3.6	8.2	1100	10	0.33
YJH-70	LGJ-70	3.6	9.7	1300	11	0.43
YJH-95	LGJ-95	4.6	11.6	1400	11	0.75
YJH-120	LGJ-120	4.6	12.9	1400	12	0.82
YJH-150	LGJ-150	4.6	14.4	1500	13	0.95
YJH-185	LGJ-185	4.6	16.2	1800	14	1.15
YJH-240	LGJ-240	6.3	18.4	1900	12	1.95
YJH-300	LGJ-300	6.3	20.5	2000	13	2.35
YJH-400	LGJ-400	6.3	23.8	2200	14	2.8
YJH-300Q	LGJ-300Q	6.3	20.0	2000	13	2.35
YJH-400Q	LGJ-400Q	6.3	23.0	2000	14	2.8
YJH-500Q	LGJ-500Q	7.8	25.7	2000	13	4.8
YJH-95/15	LGJ-95/15	3.6	11.4	1400	13	0.5
YJH-95/20	LGJ-95/20	3.6	11.4	1400	13	0.5
YJH-95/55	LGJ-95/55	3.6	13.3	1500	16	0.6
YJH-120/7	LGJ-120/7	3.6	12.0	1400	14	0.55
YJH-120/20	LGJ-120/20	3.6	12.5	1400	14	0.57
YJH-120/25	LGJ-120/25	3.6	13.0	1400	14	0.6
YJH-120/70	LGJ-120/70	4.6	14.9	1800	14	0.8
YJH-150/8	LGJ-150/8	3.6	13.3	1500	16	0.6
YJH-150/20	LGJ-150/20	3.6	14.7	1500	16	0.7
YJH-150/25	LGJ-150/25	3.6	14.2	1500	16	0.7
YJH-150/35	LGJ-150/35	3.6	14.5	1500	16	0.7
YJH-185/10	LGJ-185/10	4.6	14.9	1800	14	1.2
YJH-185/25	LGJ-185/25	4.6	15.7	1800	14	1.3
YJH-185/30	LGJ-185/30	4.6	15.7	1800	14	1.3
YJH-185/45	LGJ-185/45	4.6	16.3	1800	14	1.3

Catalog No.	Suitable Conductor, mm ²	Dimensions (mm)			A Group No.	Weight (Kg)
		d	D	L		
YJH-210/10	LGJ-210/10	4.6	15.9	1800	14	1.3
YJH-210/25	LGJ-210/25	4.6	16.6	1800	14	1.3
YJH-210/35	LGJ-210/35	4.6	16.9	1800	14	1.3
YJH-210/50	LGJ-210/50	4.6	17.3	1800	14	1.3
YJH-240/30	LGJ-240/30	4.6	17.9	1900	16	1.4
YJH-240/40	LGJ-240/40	4.6	17.9	1900	16	1.4
YJH-240/55	LGJ-240/55	4.6	18.6	1900	16	1.4
YJH-300/15	LGJ-300/15	6.3	19.1	2000	13	2.3
YJH-320/20	LGJ-320/20	6.3	19.4	2000	13	2.3
YJH-300/25	LGJ-300/25	6.3	19.7	2000	13	2.3
YJH-300/40	LGJ-300/40	6.3	19.9	2000	13	2.3
YJH-300/50	LGJ-300/50	6.3	20.1	2000	13	2.3
YJH-300/70	LGJ-300/70	6.3	20.9	2000	13	2.3
YJH-400/20	LGJ-400/20	6.3	22.3	2200	14	2.8
YJH-400/25	LGJ-400/25	6.3	22.1	2200	14	2.8
YJH-400/35	LGJ-400/35	6.3	22.3	2200	14	2.8
YJH-400/50	LGJ-400/50	6.3	23.0	2200	14	2.8
YJH-400/65	LGJ-400/65	6.3	23.2	2200	14	2.8
YJH-400/95	LGJ-400/95	6.3	24.8	2200	14	2.8
YJH-500/35	LGJ-500/35	6.3	24.9	2500	16	3.5
YJH-500/45	LGJ-500/45	6.3	24.9	2500	16	3.5
YJH-500/65	LGJ-500/65	6.3	25.7	2500	16	3.5
YJH-630/45	LGJ-630/45	7.8	27.9	2500	15	5.3
YJH-630/55	LGJ-630/55	7.8	28.5	2500	15	5.3
YJH-630/80	LGJ-630/80	7.8	28.9	2500	15	5.3
YJH-800/55	LGJ-800/55	7.8	31.8	2500	17	6.0
YJH-800/70	LGJ-800/70	7.8	32.1	2500	17	6.0
YJH-800/100	LGJ-800/100	7.8	32.3	2500	17	6.0

Material: aluminum alloy.

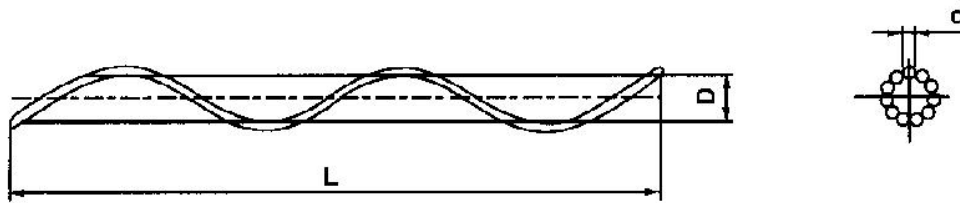
2. Preformed Armour Rod



Catalog No.	Conductor Dia.		Dimensions (mm)		A Group		Weight (Kg/group)
	Min(mm)	Max(mm)	d	L	No.of	Code	
FYH-099105	9.90	10.50	4.24	1320	9	Red	0.490
FYH-105111	10.51	11.10	3.17	1320	10	Blue	0.420
FYH-111124	11.11	12.45	4.24	1370	10	Green	0.565
FYH-124132	12.40	13.25	4.24	1420	11	Blade	0.545
FYH-132140	13.20	14.00	4.24	1470	11	Yellow	0.670
FYH-140148	14.01	14.05	4.62	1520	11	Brown	0.820
FYH-148154	14.06	15.41	4.62	1570	12	White	0.925
FYH-154166	15.42	16.65	4.62	1630	12	Orange	0.960
FYH-172178	16.66	17.25	4.62	1600	13	Purple	1.075
FYH-178188	17.20	17.05	5.10	1730	12	Red	1.205
FYH-188199	17.00	18.80	5.10	1830	12	Blue	1.306
FYH-199215	10.01	19.90	5.10	1830	13	Green	1.470
FYH-215230	10.01	21.50	6.35	1930	11	Brown	1.975
FYH-230236	21.51	23.60	6.35	2000	12	White	2.210
FYH-236248	23.01	24.00	6.35	2030	13	Orange	2.450
FYH-248258	23.01	25.80	6.35	2240	13	Purple	2.700
FYH-258263	24.01	26.30	7.87	2340	11	Red	3.675
FYH-263279	25.01	27.00	7.87	2390	12	Blue	4.010
FYH-279289	26.01	20.95	7.87	2440	12	Green	4.100
FYH-289307	27.01	30.70	7.87	2540	12	Brown	4.350
FYH-307337	20.0	33.70	7.87	2540	13	White	4.715
FYH-337353	30.01	35.30	9.27	2540	12	Orange	6.040
FYH-353353	30.01	36.60	9.27	2540	13	Purple	6.540

Material: Aluminum alloy.

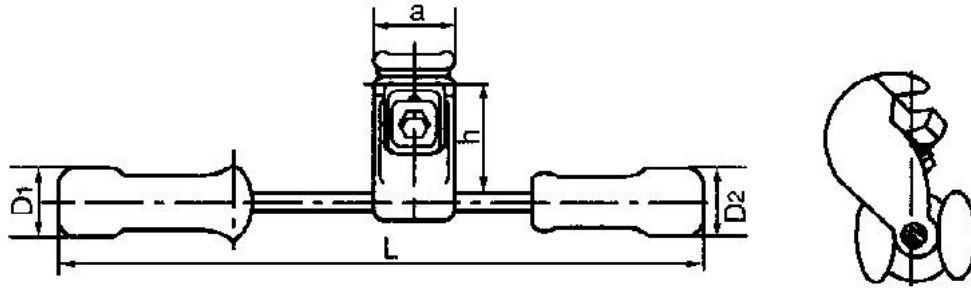
3. Preformed Armour Rod for Conductor Repairing



Catalog No.	Suitable Conductor	Dimensions (mm)			A Group No.of	Weight (Kg/group)
		D	d	L		
FYB-95/15	LGJ-95/15	3.6	11.4	420	13	0.14
FYB-95/20	LGJ-95/20	3.6	11.4	420	13	0.16
FYB-95/55	LGJ-95/55	3.6	13.3	420	16	0.17
FYB-120/7	LGJ-120/7	3.6	12.0	450	14	0.18
FYB-120/20	LGJ-120/20	3.6	12.5	450	14	0.18
FYB-120/25	LGJ-120/25	3.6	13.0	450	14	0.18
FYB-150/8	LGJ-150/8	3.6	13.3	480	16	0.20
FYB-150/20	LGJ-150/20	3.6	14.7	480	16	0.21
FYB-150/25	LGJ-150/25	3.6	14.2	480	16	0.21
FYB-150/35	LGJ-150/35	3.6	14.5	480	16	0.21
FJB-35	LGJ-35	3.6	7.1	270	9	0.08
FJB-50	LGJ-50	3.6	8.2	300	10	0.09
FJB-70	LGJ-70	3.6	9.7	340	11	0.12
FJB-95	LGJ-95	4.6	11.6	420	11	0.23
FJB-120	LGJ-120	4.6	12.9	450	12	0.27
FJB-150	LGJ-150	4.6	14.4	480	13	0.30
FJB-185	LGJ-185	4.6	16.2	580	14	0.39
FJB-240	LGJ-240	6.3	18.4	640	12	0.66
FJB-300	LGJ-300	6.3	20.5	700	13	0.80
FJB-400	LGJ-400	6.3	23.8	820	14	1.05
FJB-300Q	LGJ-300Q	6.3	20.0	700	13	0.80
FJB-400Q	LGJ-400Q	6.3	23.0	820	14	1.05
FJB-500Q	LGJ-500Q	7.8	25.7	870	13	1.74

Material: aluminum alloy.

4. Stockbridge Vibration Damper (type FR)



Catalog No.	Suitable Conductor, dia.(mm)	Dimensions (mm)					Weight (Kg)
		L	D ₁	D ₂	h	a	
FR-1	7~12	429	48	48	81	50	2.7
FR-2	11~22	429	48	48	81	50	2.7
FR-3	18~28	505	57	57	91	60	5.1
FR-4	23~36	550	64	64	97	60	7.5
FR-9	38~44	770	84	84	97	60	14.9

The body and keepers are made of aluminum alloy, counter weight is made of gray iron, hot-dip galvanized. Other parts are made of hot-dip galvanized steel.

5. Vibration Damper (type FD,FG)

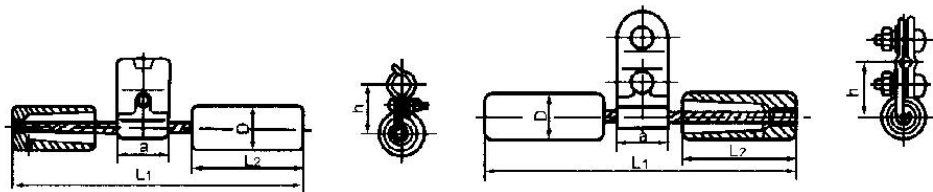


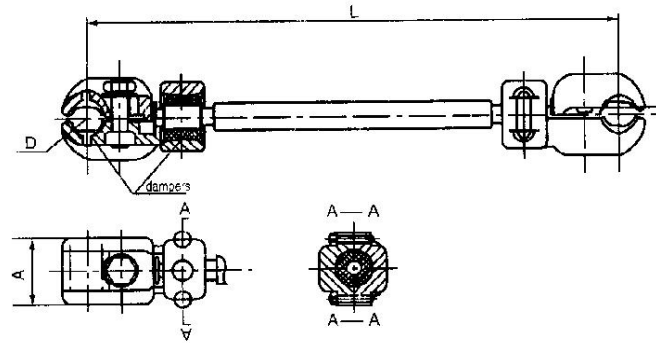
Fig 1

Fig 2

Catalog No.	Suitable Conductor, mm ²		Fig. No.	Dimensions (mm)					Messenger Wire Size	Counter Weight (kg)	Weight (Kg)
	G.S. W.	AAC		D	a	h	L ₁	L ₂			
FD-1	-	35~50	2	40	40	40	300	95	7/2.6	0.54	1.5
FD-2	-	70~95	1	46	45	55	370	130	7/3.0	0.94	2.4
FD-3	-	120~150	1	56	60	65	450	150	19/2.2	1.74	4.5
FD-4	-	185~240	1	62	60	70	500	175	19/2.2	2.17	5.6
FD-5	-	300~400	1	67	70	70	550	200	19/2.6	3.00	7.2
FD-6	-	500~600	1	70	70	75	550	200	19/2.6	3.6	8.6
FG-35	35	-	2	42	45	50	300	100	7/3.0	0.64	1.8
FG-50	50	-	2	46	45	50	350	130	7/3.0	0.94	2.1
FG-70	70	-	1	56	50	55	400	150	19/2.2	1.74	4.2
FG-100	100	-	1	62	60	65	500	175	19/2.2	2.4	2.9

The counter weights of Damper are made of gray iron, painted or hot-dip galvanized. Other parts are made of hot-dip galvanized steel.

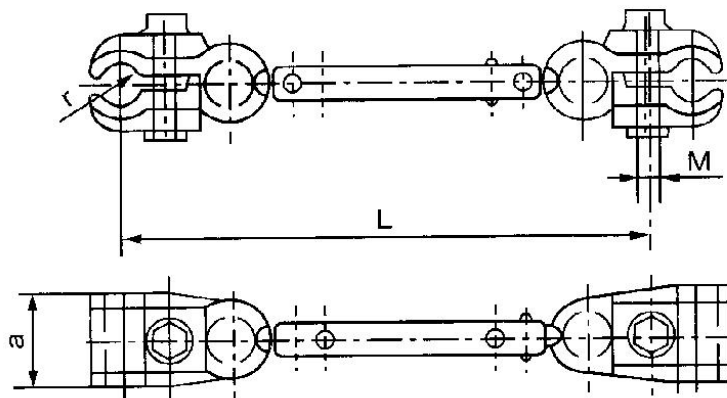
6. Twin-Spacer Damper (type FFJQ)



Catalog No.	Suitable Conductor, dia.(mm)	Dimensions (mm)			Weight (Kg)
		A	L	D	
FFJQ-204	20-21	60	200	11	1.0
FFJQ-205	22-28	60	200	14	1.0
FFJQ-404	20-21	60	400	11	2.0
FFJQ-405	22-28	60	400	14	2.0
FFJQ-455	26-31	60	450	15.5	2.3
FFJQ-457	26-31	60	457	15.5	2.5

The body and keepers are made of aluminum alloy. Buffer is DEMP. The clammer is elastomer (DEMP). The other parts are hot-dip galvanized steel.

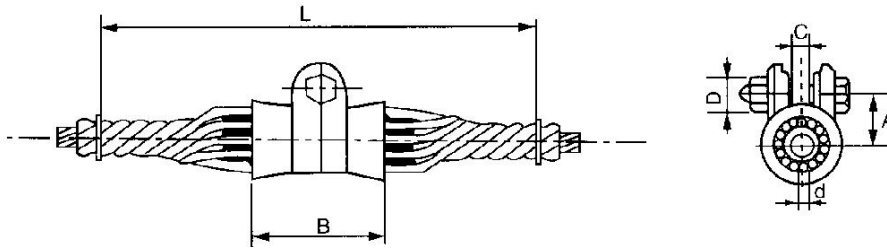
7. Twin Spacer (type FJQ)



Catalog No.	Conductor (mm ²)	Dimensions (mm)				(KN)	Weight (Kg)
		a	M	r	L		
FJQ-204	185-240	60	12	11.0	200	7	0.9
FJQ-205	300-400	60	12	14.5	200	10	1.1
FJQ-404	185-240	60	12	11.0	400	7	1.0
FJQ-405	300-400	60	12	14.5	400	10	1.2
FJQ-455	300-400	70	16	15.4	450	10	2.4

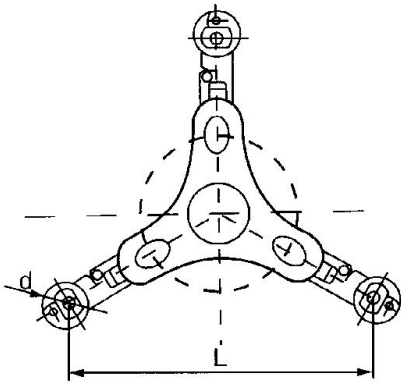
The body and keepers are made of aluminum alloy, and cotter pin is stainless. The other parts are hot-dip galvanized steel.

8. Armour-Grip Suspension Clamp (AGS type)



Catalog No.	Conductor (mm ²)	Dimensions (mm)						Per set	Color Code	Weight (Kg)
		L	d	A	B	C	D			
XJS-12546A	12.20-12.70	1010	4.6	54	76	20	16	9	Red	1.20
XJS-12946A	12.71-13.10	1020	4.6	54	76	20	16	9	Blue	1.25
XJS-13346A	13.11-13.50	1040	4.6	54	76	20	16	10	Green	1.25
XJS-13646A	13.51-13.80	1050	4.6	54	76	20	16	10	Yellow	1.28
XJS-14046A	13.81-14.10	1110	4.6	54	76	20	16	10	Black	1.30
XJS-14346B	14.11-14.60	1125	4.6	51	89	20	16	11	White	1.32
XJS-14846B	14.61-15.10	1140	4.6	51	89	20	16	11	Brown	1.55
XJS-15246B	15.11-15.40	1160	4.6	51	89	20	16	11	Orange	1.65
XJS-15646B	15.41-15.70	1180	4.6	51	89	20	16	11	Purple	1.68
XJS-16146B	15.71-16.40	1270	4.6	51	89	20	16	12	Red	1.75
XJS-16852C	16.41-17.10	1370	5.2	61	95	20	16	11	Blue	2.06
XJS-17352C	17.11-17.60	1380	5.2	61	95	20	16	11	Green	2.08
XJS-17852C	17.61-18.10	1390	5.2	61	95	20	16	12	Yellow	2.15
XJS-18352C	18.11-18.60	1400	5.2	61	95	20	16	12	Black	2.16
XJS-18852C	18.61-18.60	1420	5.12	61	95	20	16	12	White	2.18
XJS-19363D	18.61-19.10	1520	6.30	66	115	20	16	10	Brown	3.15
XJS-19863D	19.11-19.50	1540	6.30	66	115	20	16	11	Orange	3.29
XJS-20763D	19.51-20.20	1560	6.30	66	115	20	16	11	Purple	3.32
XJS-21263D	20.21-21.00	1620	6.3	66	115	20	16	11	Red	3.39
XJS-21863D	21.01-21.50	1640	6.3	66	115	20	16	11	Blue	3.45
XJS-22463D	21.51-22.10	1660	6.3	66	115	20	16	12	Green	3.52
XJS-22963D	22.11-22.70	1680	6.3	66	115	20	16	12	Yellow	3.57
XJS-23463D	22.71-23.10	1690	6.3	70	127	20	16	12	Black	4.19
XJS-24163D	23.11-23.80	1700	6.3	70	127	20	16	12	White	4.26
XJS-24963D	23.81-24.50	1730	6.3	70	127	20	20	13	Brown	4.35
XJS-25878E	24.51-25.40	2030	7.8	75	140	20	20	11	Orange	6.38
XJS-26578E	25.41-26.00	2080	7.8	75	140	20	20	11	Purple	6.18
XJS-27178E	26.10-26.80	2100	7.8	75	140	20	20	12	Red	6.68
XJS-27978E	26.81-27.40	2100	7.8	75	140	20	20	12	Blue	6.70
XJS-28878E	28.31-29.20	2100	7.8	75	140	20	20	12	Green	6.70
XJS-29678E	29.21-30.00	2100	7.8	75	140	20	20	12	Yellow	6.72
XJS-30478E	30.01-30.70	2100	7.8	75	140	20	20	12	Black	6.75

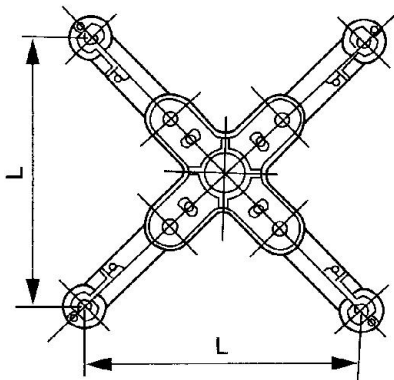
9. Triple-Spacer Damper (type FZJS)



Catalog No.	Dia of Conductor (mm)	L(mm)	Weight (Kg)
FZJS-5/450A	23.5-32	450	7.2
FZJS-5/457A	24.5-33	457	7.5

The body, keeper and bracket are made of aluminum alloy. The damper is elastomer (DEMP). The other parts are hot-dip galvanized steel.

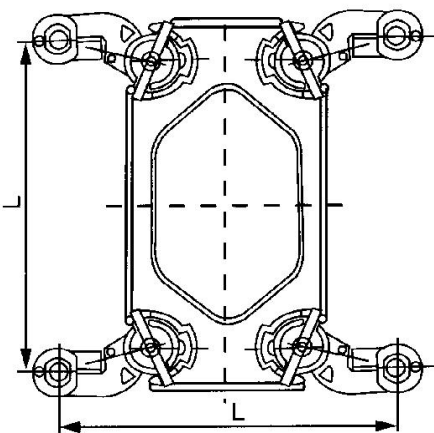
10. Quadant Spacer Damper (type FJZL)



Catalog No.	Dia of Conductor (mm)	L(mm)	Weight (Kg)
FJZL-300/450	23.5-25.2	450	8.5
FJZL-400/450	26.5-29.5	450	8.5
FJZL-300/457	23.5-25.5	457	9.0
FJZL-400/457	26.5-29.5	457	9.0

The body, keeper and bracket are made of aluminum alloy. The damper is elastomer (DEMP). The other parts are hot-dip galvanized steel.

11. Quadant Rectangular Spacer Damper (type FJZK)



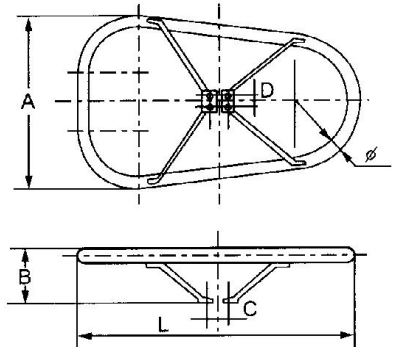
Catalog No.	Dia of Conductor (mm)	L(mm)	Weight (Kg)
FJZK-300/450	23.5-25.2	450	7.8
FJZK-400/450	26.5-29.5	450	7.8
FJZK-300/457	23.5-25.5	457	7.9
FJZK-400/457	26.5-29.5	457	7.9

The body, keeper and bracket are made of aluminum alloy. The damper is elastomer (DEMP). The other parts are hot-dip galvanized steel.

12. Grading and Shielding Ring (aluminum tube)

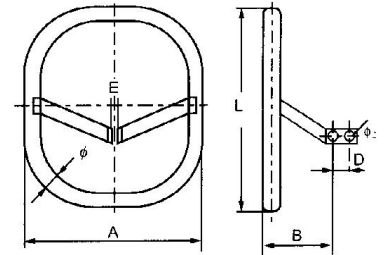
Catalog No.	Dimensions (mm)						Weight (Kg)
	L	A	B	C	D	ϕ	
FJPL-500N	1450	900	330	60	60	50	6.5

Made of aluminum tube.



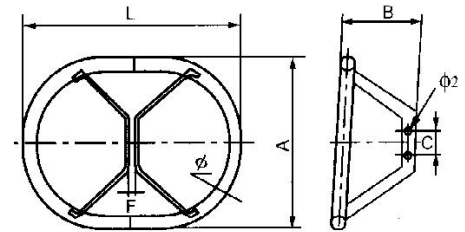
Catalog No.	Dimensions (mm)							Weight (Kg)
	L	A	B	D	E	ϕ	ϕ_2	
FJPL-500XL	800	600	235	60	20	50	18	2.95

Made of aluminum tube.



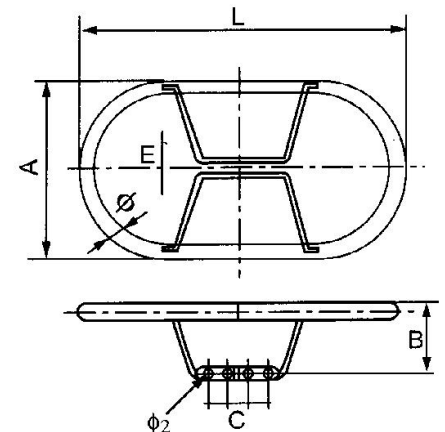
Catalog No.	Dimensions (mm)							Weight (Kg)
	L	A	B	C	ϕ_1	ϕ_2	F	
FJPL-500XD	700	600	290	80	14	50	20	3.05

Made of aluminum tube.

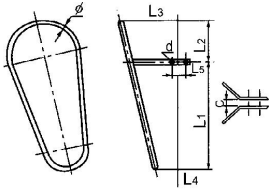


Catalog No.	Dimensions (mm)							Weight (Kg)
	L	A	B	C	ϕ_1	ϕ_2	E	
FJPL-500XS	1050	600	230	60	50	14	22	4.3

Made of aluminum tube.

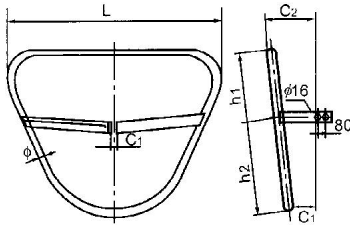


13. Grading and Shielding Ring



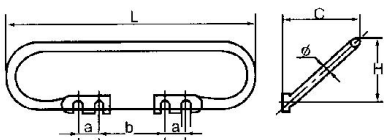
Catalog No.	Dimensions (mm)								Weight (Kg)
	Φ	d	c	L ₁	L ₂	L ₃	L ₄	L ₅	
FJPL-330-N	32	18	24	650	352	392	120	80	3.2
JL-330N	32	18	24	702	372	176	136	80	2.9

Made of aluminium tube.



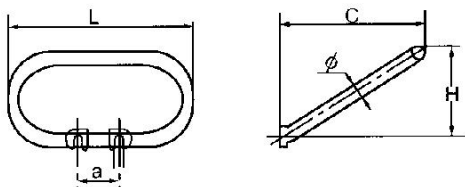
Catalog No.	Dimensions (mm)							Weight (Kg)
	C	C ₁	C ₂	Φ	h ₁	H ₂	L	
FJPL-330NA	18	145	220	32	270	350	800	2.6
JL-330NA	26	150	392	32	320	380	800	2.8

Made of aluminium tube.



Catalog No.	Dimensions (mm)						Weight (Kg)
	L	a	b	c	H	Φ	
FJPL-230SL	1060	40	110	250	230	32	2.1

Made of aluminium tube.



Catalog No.	Dimensions (mm)					Weight (Kg)
	L	a	c	H	Φ	
FJPL-230SM	660	60	330	140	32	1.6

Made of aluminium tube.

14. Arcing Horn

Catalog No.	Dimensions (mm)					Fig No.	Recommend Voltage (KV)	Weight (Kg)
	D	H	L	Φ_1	h			
ZH-01	14.5	197	712	16	114	1	138	1.20
ZH-02	14.5	197	762	16	114		161-230	1.26

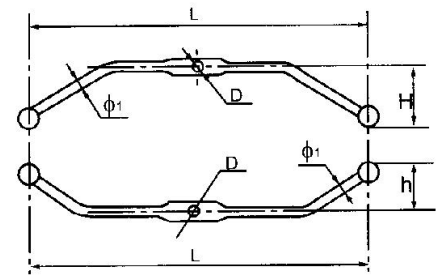


Fig 1

Catalog No.	Dimensions (mm)						Fig No.	Recommend Voltage (KV)	Weight (Kg)
	A	D	H	L	Φ_1	h			
ZH-11	60	14.5	197	356	16	114	2	138	1.15
ZH-12	60	14.5	197	385	16	114		161	1.20

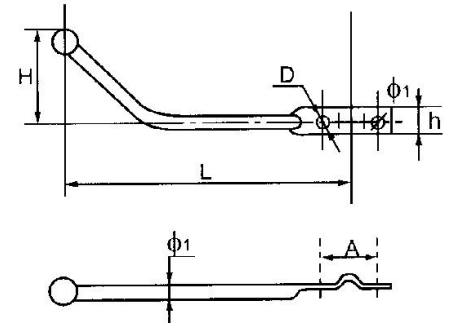


Fig 2

Catalog No.	Dimensions (mm)						Fig No.	Recommend Voltage (KV)	Weight (Kg)
	A	d	H	L	Φ_1	h			
ZH-21	45	14.5	270	340	16	203	3	110~138	0.86
ZH-22	45	14.5	270	372	16	203		161	1.03

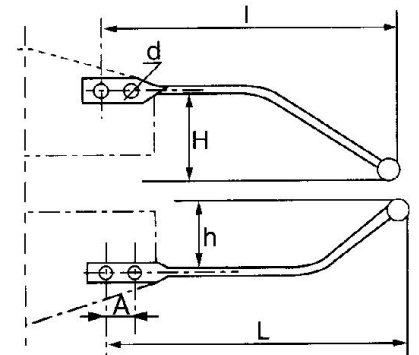


Fig 3

Catalog No.	Dimensions (mm)							Fig No.	Recommend Voltage (KV)	Weight (Kg)
	H	L	b	h	l	Φ_1	A			
ZH-31	203	434	45	270	372	14.5	203	4	203	2.00
ZH-32	114	445	45	197	381	14.5	203		203	2.10

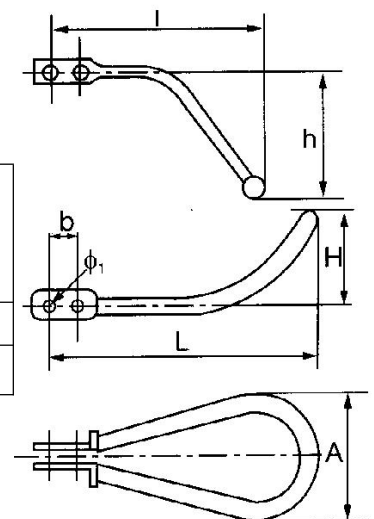
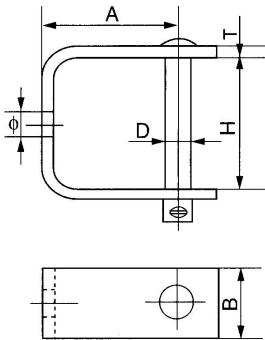


Fig 4

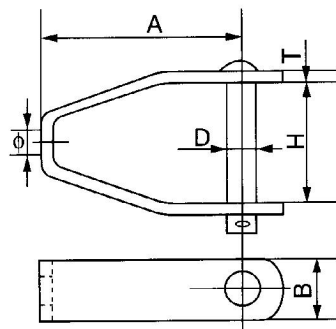
15. D-Bracket



Catalog No.	Dimensions (mm)						U.T.S KN	Weight (Kg)
	A	B	D	H	T	Φ		
DB-01	58	40	8	44	4	10	8	0.30
DB-02	68	40	10	50	6	14	11	0.50
DB-31	64	30	10	58	5	14.0	11	0.30
DB-32	89	40	16	70	6	17.5	18	0.80
DB-33	115	40	16	79	6	17.5	18	0.90
DB-34	95	45	20	92	8	21.5	22	1.40
DB-35	108	45	20	105	8	21.5	20	1.60
DB-36	144	45	20	121	8	21.5	20	1.90

The D-bracket are used to fix on shackle and spool insulators at the low voltage line.

16. Insulated Crossarm Clevis Bracket



Catalog No.	Dimensions (mm)						Weight (Kg)
	A	B	D	H	T	Φ	
DB-11	128	40	16	86	6	17.5	0.75
DB-12	106	40	12	60	6	14.0	0.60
DB-13	106	40	16	60	6	17.5	0.62

17. Aluminum Binding Stirrup

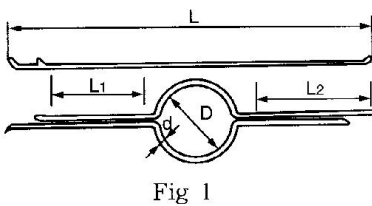


Fig 1

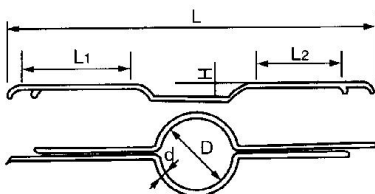


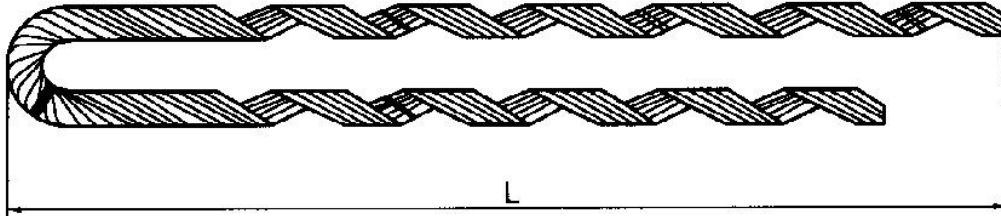
Fig 2

Catalog No.	Fig No.	Dimensions (mm)						Weight (Kg)
		D	L	L ₂	L ₁	H	d	
BS-78/8	1	78	438	108	136	-	8	0.15
BS-78/12	1	78	438	108	136	-	12	0.32
BS-120/8	1	120	438	108	136	-	8	0.18
BS-120/12	1	120	438	108	136	-	12	0.35
BS-78/8H	2	78	438	108	136	15	8	0.16
BS-78/12H	2	78	438	108	136	15	12	0.33
BS-120/8H	2	120	438	108	136	18	8	0.19
BS-120/12H	2	120	438	108	136	18	12	0.36

The binding stirrups are made of aluminum alloy.

18. Guy-Grip Dead-End Clamp

(for aluminium covered steel stranded wire)

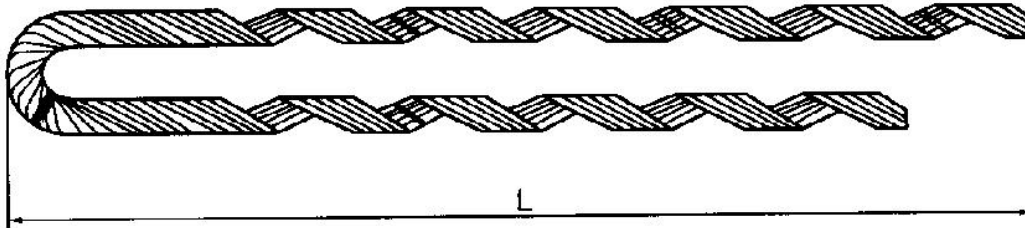


Catalog No.	Conductor Dia.	L (mm) Length	Stranf	Mode Color code	Type Color code
NGB-21410	4.00-4.29	480	4	Red	Red
NGB-21440	4.30-4.59	480	4	Red	Blue
NGB-21470	4.60-4.89	480	4	Red	Green
NGB-21500	4.90-5.19	480	4	Red	Black
NGB-23530	5.20-5.49	590	5	Red	Yellow
NGB-23560	5.50-5.79	590	5	Red	Brown
NGB-23590	5.80-6.09	590	5	Red	White
NGB-23620	6.10-6.39	590	5	Red	Red
NGB-23650	6.40-6.69	590	5	Red	Green
NGB-25680	6.70-6.99	660	5	Red	Blue
NGB-25710	7.00-7.29	660	5	Red	Black
NGB-25740	7.30-7.59	660	5	Red	Brown
NGB-25770	7.60-7.89	660	5	Red	White
NGB-25800	7.90-8.19	660	5	Red	Red
NGB-25830	8.20-8.49	820	6	Red	Blue
NGB-28860	8.50-8.79	820	6	Red	Green
NGB-28890	8.80-9.09	820	6	Red	Black
NGB-28920	9.10-9.39	820	6	Red	Yellow
NGB-28950	9.40-9.69	820	6	Red	Brown
NGB-28980	9.70-9.99	820	6	Red	White
NGB-30101	10.00-12.29	960	6	Red	Red
NGB-30104	10.6-10.59	960	6	Red	Blue
NGB-30107	10.60-10.89	960	6	Red	Green
NGB-30110	10.90-11.19	960	6	Red	Black
NGB-32113	11.20-11.49	1060	6	Red	Yellow
NGB-32116	11.50-11.79	1060	6	Red	Brown
NGB-32119	11.80-12.09	1060	6	Red	White
NGB-32122	12.10-12.39	1060	7	Red	Red
NGB-32125	12.40-12.69	1060	7	Red	Blue

NGB-35128	12.70-12.99	1200	6	Red	Blue
NGB-35131	13.00-13.29	1200	6	Red	Yellow
NGB-35134	13.30-13.59	1200	7	Red	Green
NGB-35137	13.60-13.89	1200	7	Red	Brown
NGB-35140	13.90-14.19	1200	7	Red	White
NGB-35143	14.20-14.49	1200	7	Red	Black

Material: aluminium covered steel wire.

19. Guy-Grip Dead-End Clamp (for steel stranded wire)

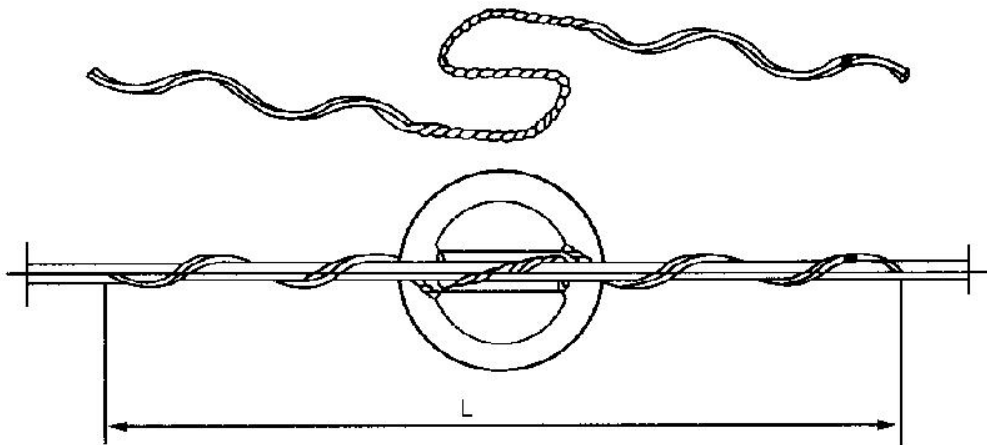


Catalog No.	Conductor Dia.	L (mm) Length	Stranf	Mode Color code	Type Color code
NG-21410	4.00-4.29	540	4	Blue	Red
NG-21440	4.30-4.59	540	4	Blue	Blue
NG-21470	4.60-4.89	540	4	Blue	Green
NG-21500	4.90-5.19	540	4	Blue	Black
NG-23530	5.20-5.49	630	4	Blue	Yellow
NG-23560	5.50-5.79	630	4	Blue	Brown
NG-23590	5.80-6.09	630	5	Blue	White
NG-23620	6.10-6.39	630	5	Blue	Red
NG-23650	6.40-6.69	630	5	Blue	Blue
NG-25680	6.70-6.99	760	5	Blue	Black
NG-25710	7.00-7.29	760	5	Blue	Brown
NG-25740	7.30-7.59	760	5	Blue	Green
NG-25770	7.60-7.89	760	5	Blue	White
NG-25800	7.90-8.19	760	5	Blue	Yellow
NG-25830	8.20-8.49	760	6	Blue	Brown
NG-28860	8.50-8.79	910	6	Blue	Red
NG-28890	8.80-9.09	910	6	Blue	Blue
NG-28920	9.10-9.39	910	6	Blue	Black
NG-28950	9.40-9.69	910	6	Blue	Green
NG-28980	9.70-9.99	910	6	Blue	Yellow
NG-30101	10.00-12.29	940	6	Blue	Red
NG-30104	10.39-10.59	940	6	Blue	Brown
NG-30107	10.60-10.89	940	6	Blue	Blue
NG-30110	10.90-11.19	940	6	Blue	Red
NG-32113	11.20-11.49	1100	6	Blue	Green

NG-32116	11.50-11.79	1100	6	Blue	Black
NG-32119	11.80-12.09	1100	6	Blue	White
NG-32122	12.10-12.39	1100	7	Blue	Blue
NG-32125	12.40-12.69	1100	7	Blue	Red
NG-35128	12.70-12.99	1350	6	Blue	Brown
NG-35131	13.00-13.39	1350	6	Blue	Blue
NG-35135	13.40-13.69	1350	7	Blue	Yellow
NG-35138	13.70-13.66	1350	7	Blue	Green
NG-35141	14.00-14.29	1350	7	Blue	Black

Made of hot-dip galvanized steel wire.

20. Distribution Tie

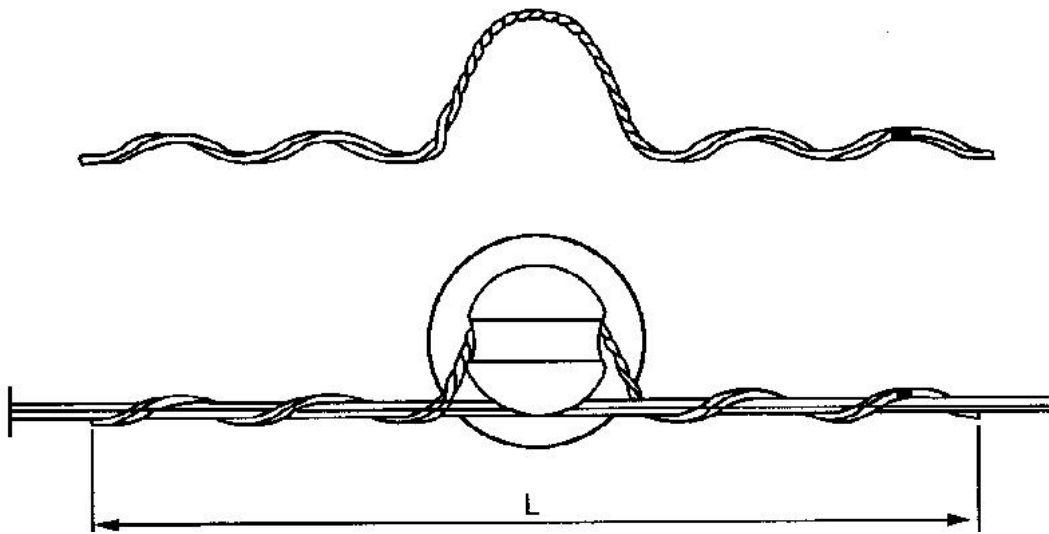


Catalog No.	Conductor Dia. (mm)	L (mm) Length	Color code	Mode Dia Color code	Weight (Kg)
DT-480550C	4.80-5.50	610	Blue	Mark: Black for Type C	0.08
DT-551620C	5.51-6.20	640	Brown		0.09
DT-621700C	6.21-7.00	660	Orange		0.09
DT-701800C	7.01-8.00	660	Purple		0.09
DT-801910C	8.01-9.10	710	Red		0.09
DT-9111030C	9.11-10.30	760	Yellow		0.09
DT-10311170C	10.31-11.70	640	Blue		0.15
DT-1171320C	11.71-13.20	640	Orange		0.16
DT-13211490C	13.21-14.90	710	Red		0.17
DT-14911690C	14.91-16.90	760	Purple		0.17
DT-16911920C	16.91-19.20	790	Brown		0.18
DT-19212170C	19.21-21.70	810	Red		0.18
DT-21712460C	21.71-24.60	860	Blue		0.19
DT-24612780C	24.61-27.80	940	Green		0.19
DT-27813150C	27.81-31.50	1020	Yellow	0.20	
DT-480550F	4.80-5.50	640	Blue	Mark:	0.09

DT-551620F	5.51-6.20	660	Brown	Yellow for Type F	0.09
DT-621700F	6.21-7.00	690	Orange		0.09
DT-701800F	7.01-8.00	740	Purple		0.10
DT-801910F	8.01-9.10	790	Blue		0.10
DT-9111030F	9.11-10.30	810	Yellow		0.10
DT-10311170F	10.31-11.70	660	Blue		0.17
DT-11711320F	11.71-13.20	690	Orange		0.17
DT-13211490F	13.21-14.90	740	Red		0.18
DT-14911920F	14.91-16.90	790	Purple		0.18
DT-16911920F	16.91-19.20	790	Brown		0.19
DT-19212170F	19.21-21.70	810	Red		0.19
DT-21712460F	21.71-24.60	890	Blue		0.20
DT-24612780F	24.61-27.80	970	Green		0.20
DT-27813150F	27.81-31.50	1040	Yellow		0.21

Material: aluminum covered steel, for using on ACSR, AAC, AAAC and plastic Jacketed conductor.

21. Side Tie



Catalog No.	Conductor Dia.	L (mm) Length	Color code	Mode Dia Color code	Weight (Kg)
DT-480550C	4.80-5.50	410	Blue	Mark: Black for Type C	0.06
DT-551620C	5.51-6.20	430	Brown		0.07
DT-621700C	6.21-7.00	480	Orange		0.08
DT-701800C	7.01-8.00	540	Purple		0.09
DT-801910C	8.01-9.10	610	Red		0.13
DT-9111030C	9.11-10.30	660	Yellow		0.14
DT-10311170C	10.31-11.70	660	Blue		0.18
DT-1171320C	11.71-13.20	740	Orange		0.19
DT-13211490C	13.21-14.90	790	Red		0.20
DT-14911690C	14.91-16.90	580	Purple		0.21
DT-16911920C	16.91-19.20	640	Brown		0.27
DT-19212170C	19.21-21.70	660	Red		0.28
DT-21712460C	21.71-24.60	710	Blue		0.29
DT-24612780C	24.61-27.80	740	Green		0.30
DT-27813150C	27.81-31.50	840	Yellow		0.34
DT-480550F	4.80-5.50	410	Blue	Mark: Yellow for Type F	0.06
DT-551620F	5.51-6.20	430	Brown		0.07
DT-621700F	6.21-7.00	480	Orange		0.08
DT-701800F	7.01-8.00	540	Purple		0.09
DT-801910F	8.01-9.10	610	Blue		0.13
DT-9111030F	9.11-10.30	660	Yellow		0.14
DT-10311170F	10.31-11.70	660	Blue		0.18
DT-11711320F	11.71-13.20	740	Orange		0.19
DT-13211490F	13.21-14.90	790	Red		0.20
DT-14911920F	14.91-16.90	580	Purple		0.21
DT-16911920F	16.91-19.20	640	Brown		0.27
DT-19212170F	19.21-21.70	660	Red		0.28
DT-21712460F	21.71-24.60	710	Blue		0.29
DT-24612780F	24.61-27.80	740	Green		0.30
DT-27813150F	27.81-31.50	840	Yellow		0.34

Material: aluminum covered steel, for using on ACSR, AAC, AAAC and plastic insulated conductor.